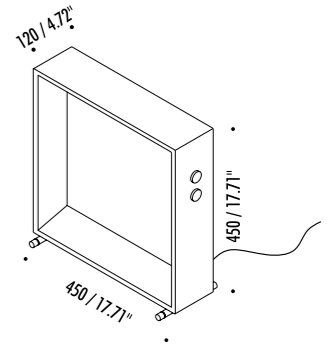


The sizes are expressed in millimeters.

DESIGN AMEDEO G. CAVALCHINI WITH NOEMI LATTANZIO - 2017  
TABLE LAMP - METAL - METHACRYLATE

TOMOKO



19290303	MATT WHITE	120 V - 60 Hz 50 W LED - 2200K + 45 W LED - 5000K - 3000 lm - CRI > 80 WHITE CABLE - ADJUSTABLE LIGHT FROM WARM WHITE COLOUR TO COOL WHITE COLOUR DIMMER