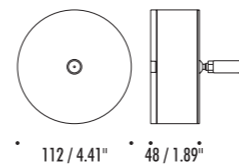


The sizes are expressed in millimeters and inches.

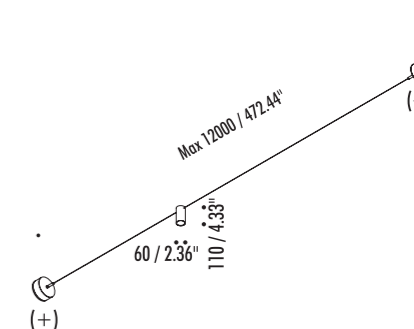
DESIGN DAVIDE GROPPI - 2019
WALL SYSTEM - METAL - PA

OHM ABSOLUTE

TIE ROD



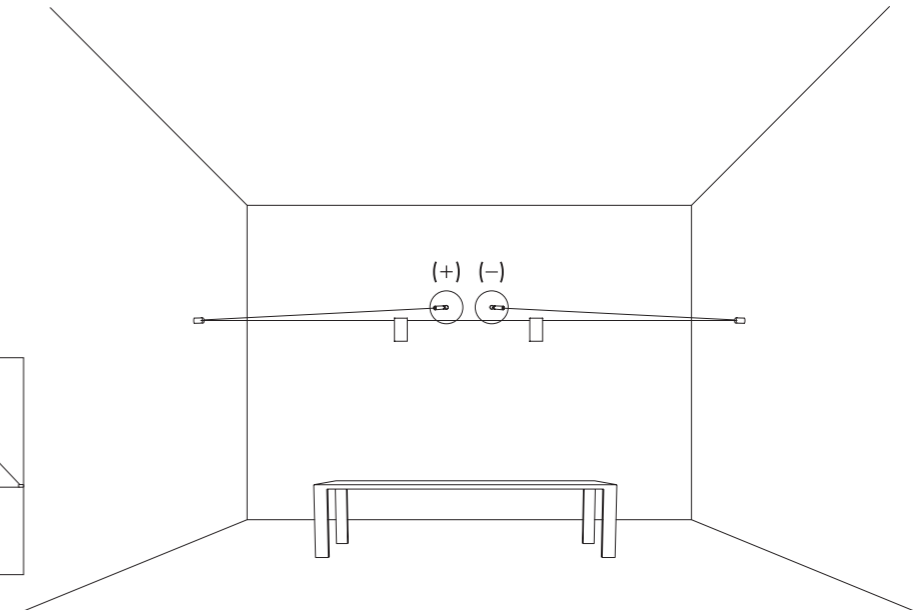
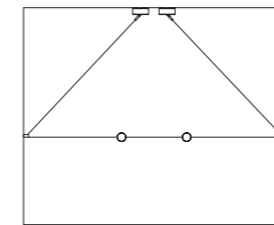
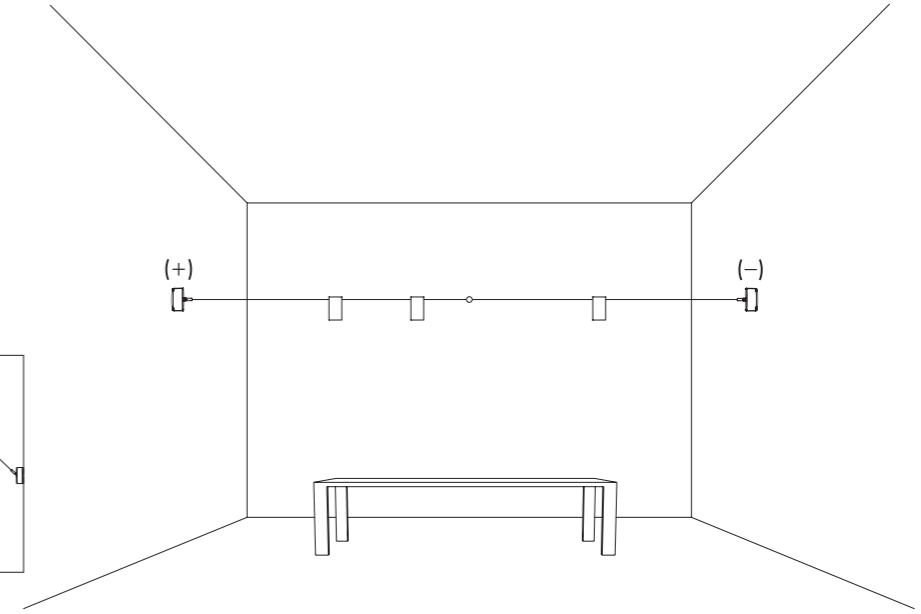
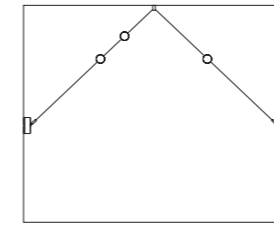
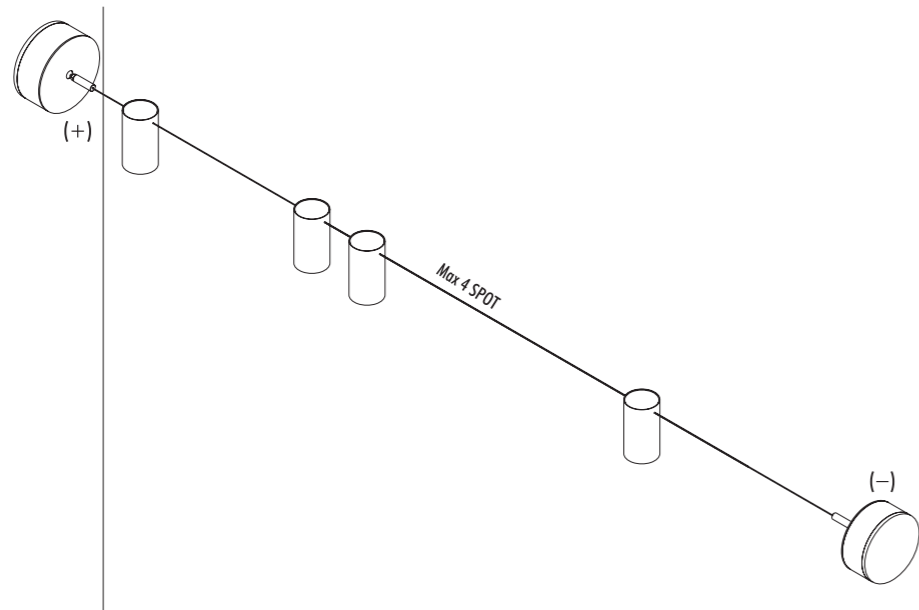
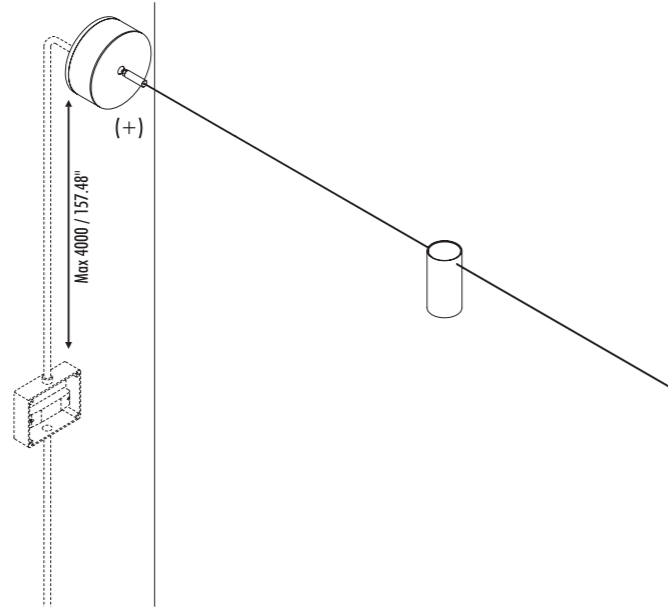
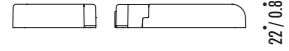
112 / 4.41" 48 / 1.89"

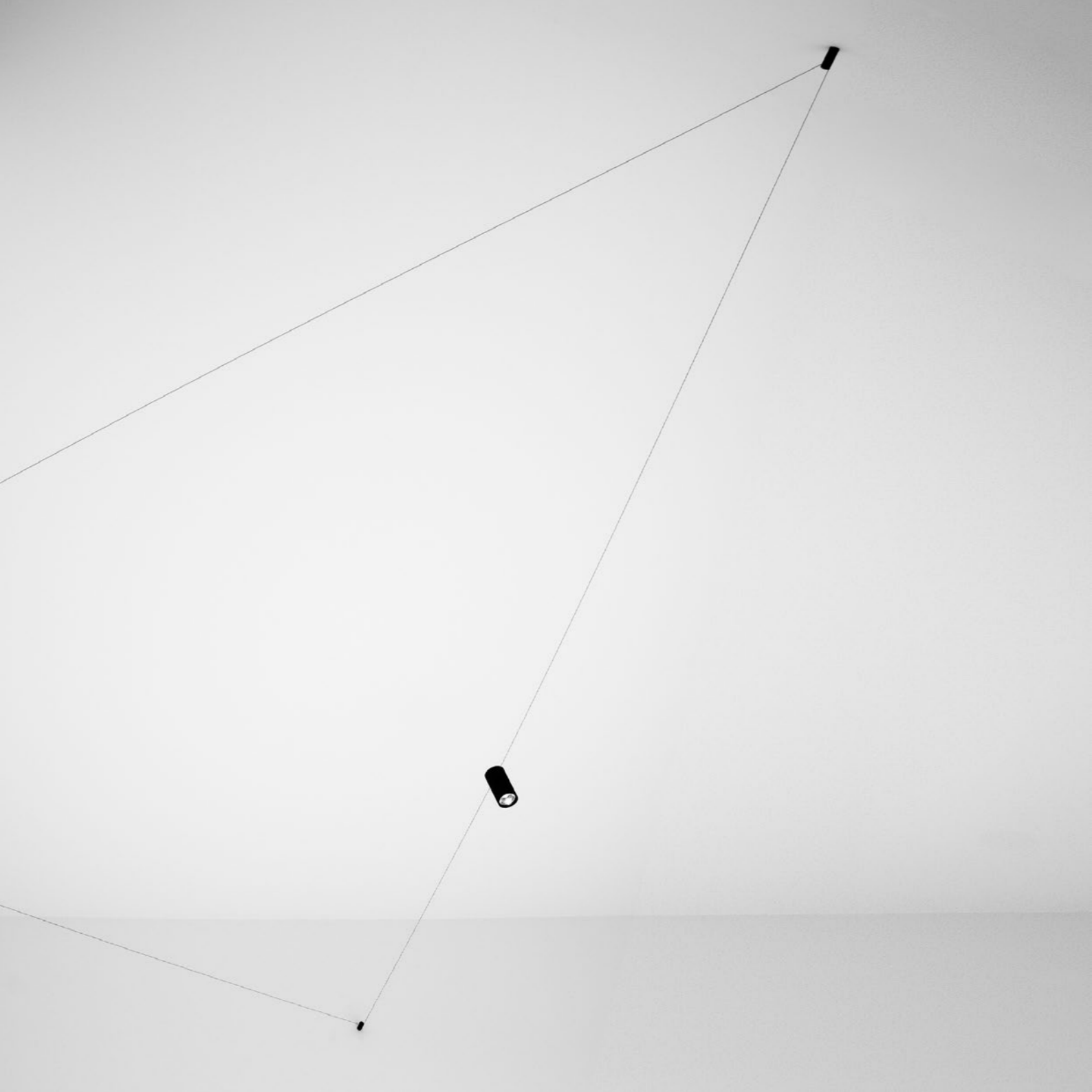


1A0760403	STANDARD 12° - 3000K	MAX 350 mA DC - 1 x 3,6 W LED - 12° 3000K - 288 lm - CRI > 95 / 2700K - 272 lm - CRI > 95
1A0760403-27	STANDARD 12° - 2700K	UNIPOLAR WIRE 12 m - 2 TIE RODS - MAX 4 SPOT ON UNIPOLAR WIRE COMPULSORY POWER SUPPLY KIT INCLUDED INCLUDES LED DRIVER INPUT 110-240 V - 50/60 Hz - DALI - PUSH - 1-10 V DIMMABLE OPTIONAL ACCESSORIES NOT INCLUDED
1A0460403	STANDARD 24° - 3000K	MAX 350 mA DC - 1 x 3,6 W LED - 24° 3000K - 286 lm - CRI > 95 / 2700K - 270 lm - CRI > 95
1A0460403-27	STANDARD 24° - 2700K	UNIPOLAR WIRE 12 m - 2 TIE RODS - MAX 4 SPOT ON UNIPOLAR WIRE COMPULSORY POWER SUPPLY KIT INCLUDED INCLUDES LED DRIVER INPUT 110-240 V - 50/60 Hz - DALI - PUSH - 1-10 V DIMMABLE OPTIONAL ACCESSORIES NOT INCLUDED

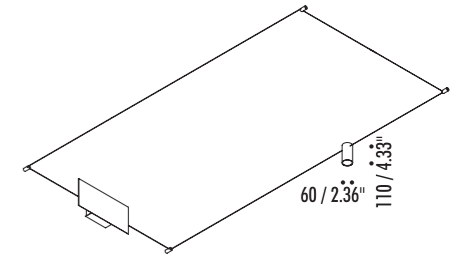
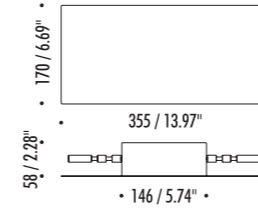
DRIVER DIMENSION

• 79 / 3.11" • • 124 / 4.88" •



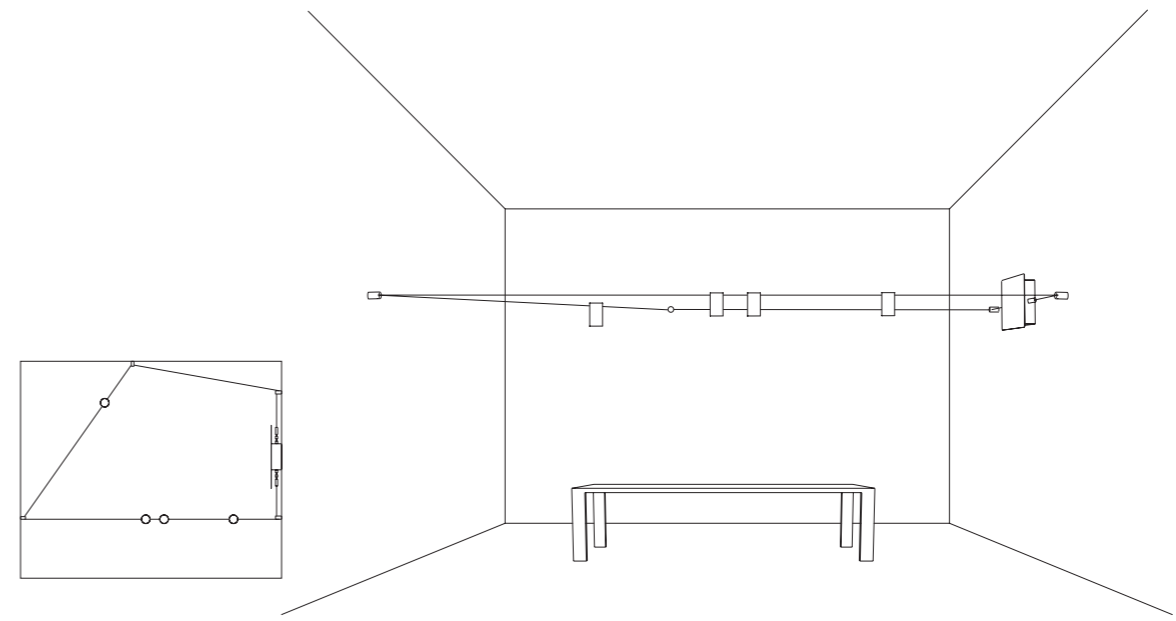
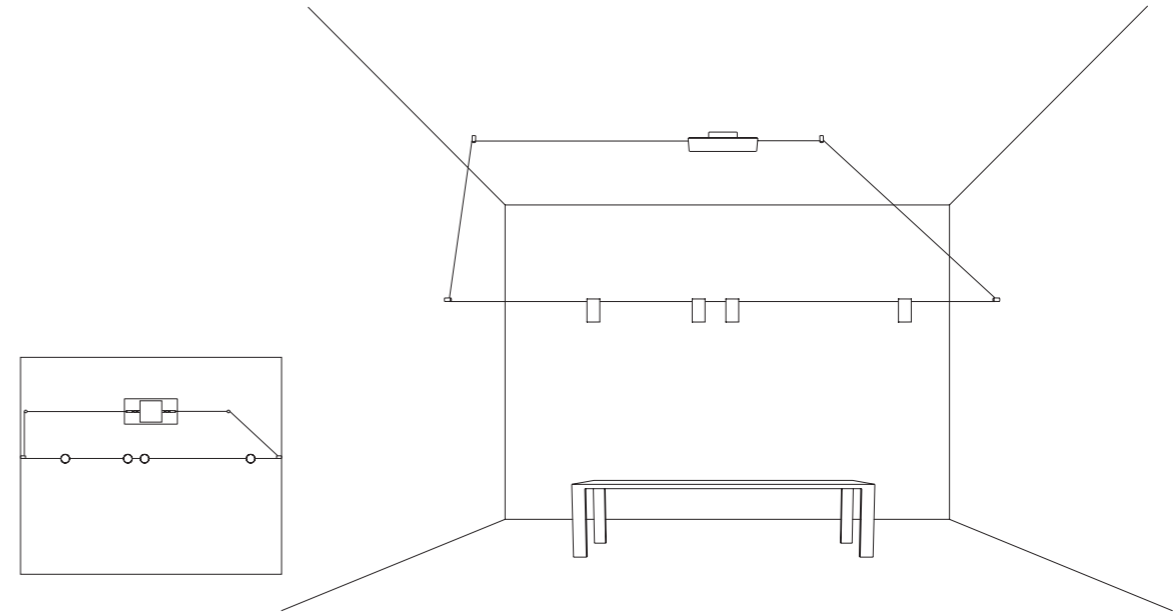


WALL ROSE



1A0750403	STANDARD 12° - 3000K	120 V - 60 Hz - 1 x 3,6 W LED - 12° 3000K - 288 lm - CRI > 95 / 2700K - 272 lm - CRI > 95 UNIPOLAR WIRE 24 m - 4 WIRES GUIDE WHITE WALL ROSE DALI - PUSH - 1-10 V DIMMABLE OPTIONAL ACCESSORIES NOT INCLUDED
1A0750403-27	STANDARD 12° - 2700K	
19780403	STANDARD 24° - 3000K	120 V - 60 Hz - 1 x 3,6 W LED - 24° 3000K - 286 lm - CRI > 95 / 2700K - 270 lm - CRI > 95 UNIPOLAR WIRE 24 m - 4 WIRES GUIDE WHITE WALL ROSE DALI - PUSH - 1-10 V DIMMABLE OPTIONAL ACCESSORIES NOT INCLUDED
19780403-27	STANDARD 24° - 2700K	

LAYOUT EXAMPLE





OPTIONAL ACCESSORIES

1A0040403	MATT BLACK - 12° - 3000K	ADDITIONAL LED MODULE MAX 350 mA DC - MAX 3,6 W LED - 12° 3000K - 288 lm - CRI > 95 / 2700K - 272 lm - CRI > 95 MAX 4 SPOT ON UNIPOLAR WIRE	
1A0040403-27	MATT BLACK - 12° - 2700K		
1A0740403	MATT BLACK - 24° - 3000K	ADDITIONAL LED MODULE MAX 350 mA DC - MAX 3,6 W LED - 24° 3000K - 286 lm - CRI > 95 / 2700K - 270 lm - CRI > 95 MAX 4 SPOT ON UNIPOLAR WIRE	
1A0740403-27	MATT BLACK - 24° - 2700K		
1A0420403	MATT BLACK - 3000K	WIRE GUIDE	