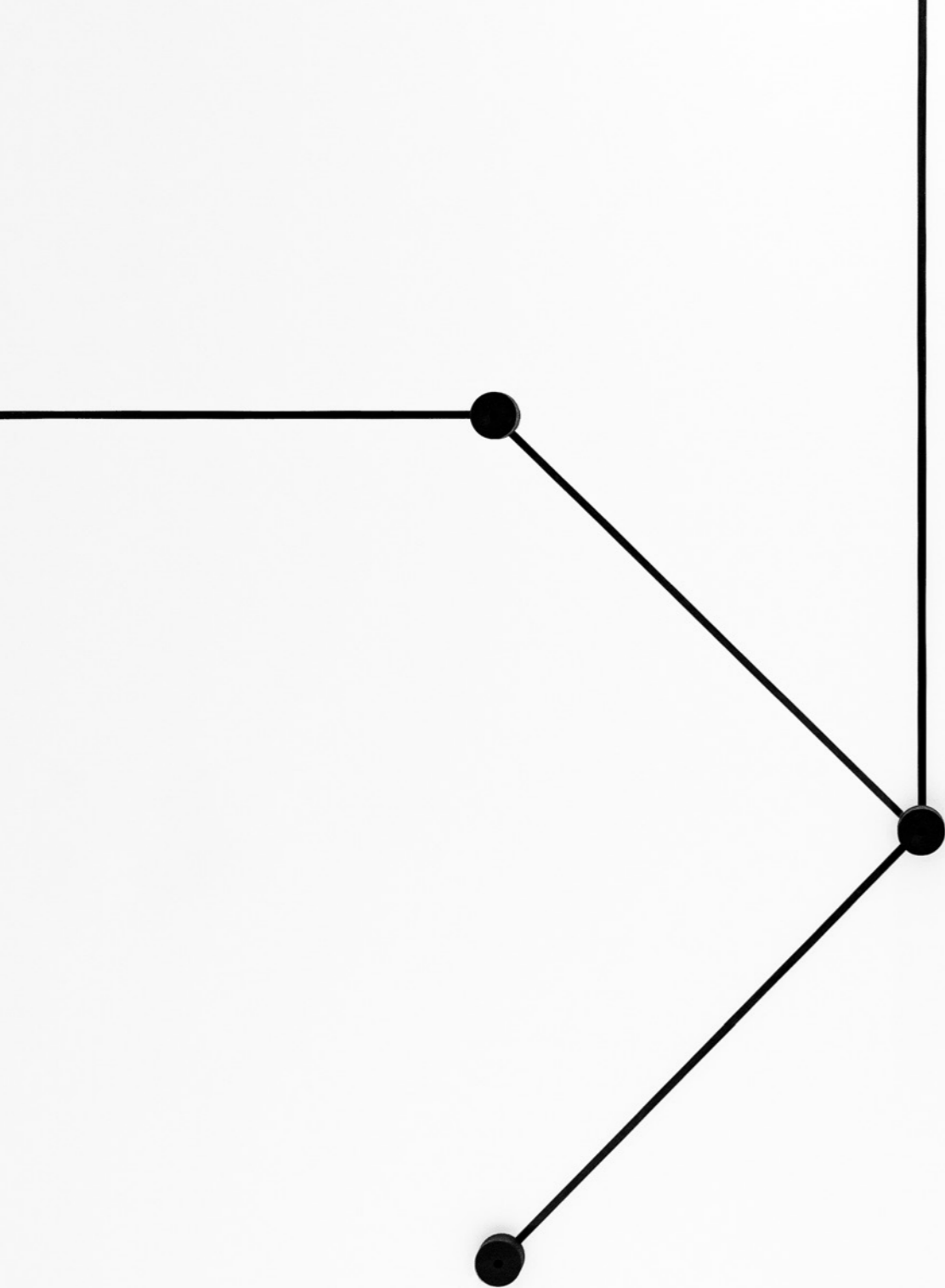


# ENDLESS

Davide Groppi / 2018



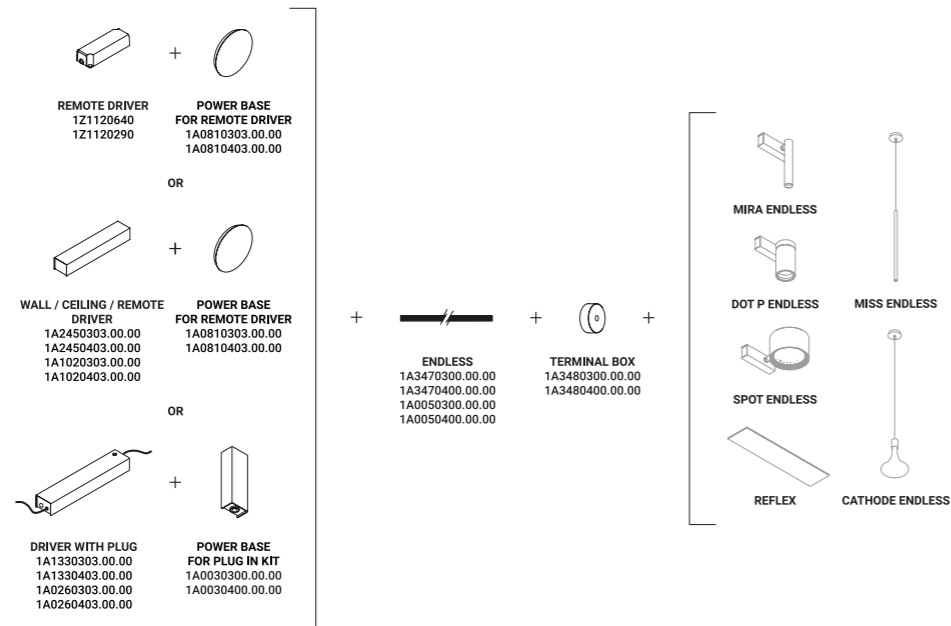
Absolute freedom, absolute spatiality, absolute creativity.

An adhesive tape that conducts electricity can be placed anywhere on walls and ceilings to power our lighting projects.

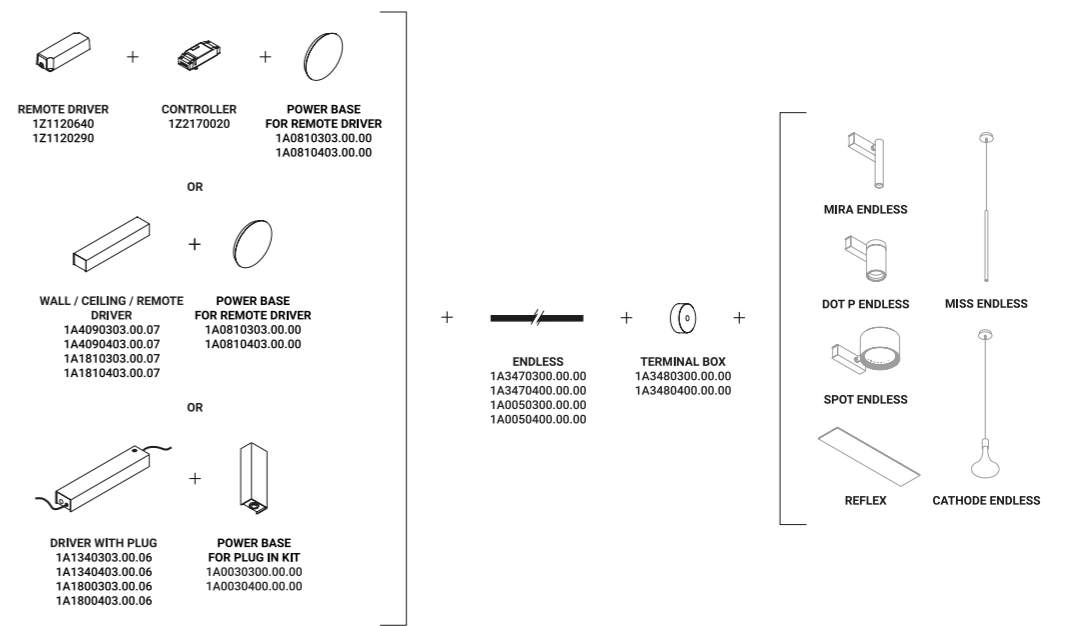
Endless is the system created and patented by our Team in order to transport electric energy in a digital and graphic manner. It's the idea of considering walls and ceilings like electronic circuits, where luminaires can be done fixed freely and easily.

This system comes with various accessories to provide and manage the flow of electricity.

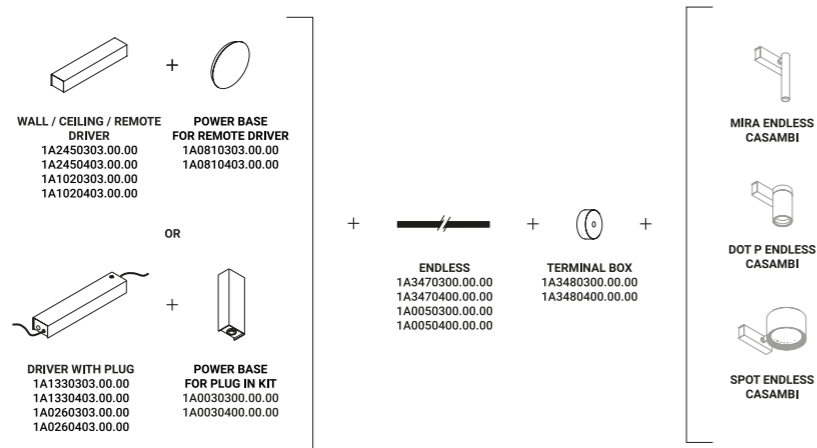
**ENDLESS ON/OFF**  
(Max 48V DC -  
Max 150W - Max 4A)



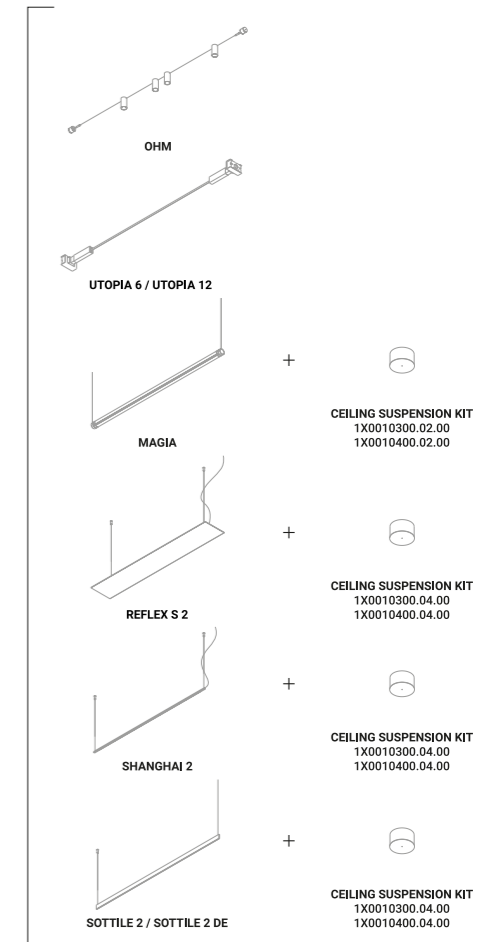
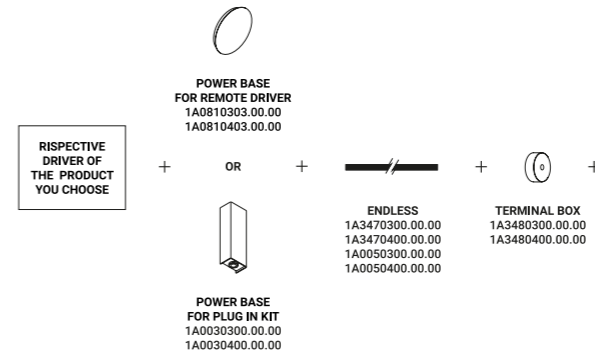
**ENDLESS dimmable**  
(Max 48V DC -  
Max 150W - Max 4A)



**ENDLESS CASAMBI**  
(Max 48V DC -  
Max 150W - Max 4A)



**ENDLESS conductive tape**  
used with voltage/current  
other than 48V DC

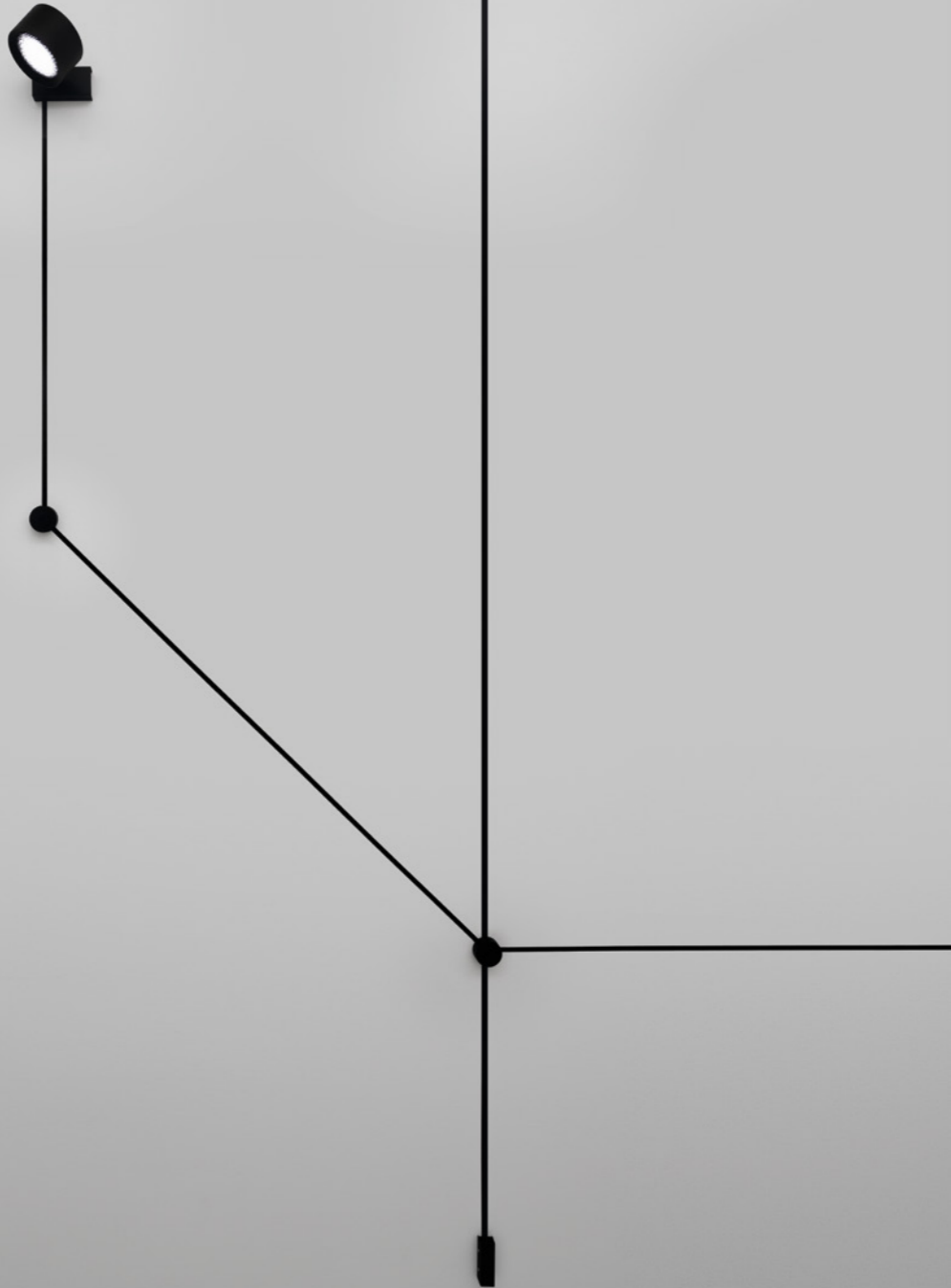


Davide Groppi / 2018

Systems / Direct-Indirect-Diffuse / Indoor

**Material** Metal  
**Finish** .00 Standard

**Note** System consisting of a conductive adhesive tape to apply to surfaces.  
 Possibility to connect several lamps (Max 48V DC - Max 150W - Max 4A).



**Compulsory accessories**

Installation kits



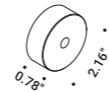
<b>Strip Endless - 196.85"</b>		Not included
Matt White	Max 48V DC - Max 150W - Max 4A	1A3470300.00.00
Matt Black	Max 48V DC - Max 150W - Max 4A	1A3470400.00.00



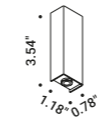
<b>Strip Endless - 393.70"</b>		Not included
Matt White	Max 48V DC - Max 150W - Max 4A	1A0050300.00.00
Matt Black	Max 48V DC - Max 150W - Max 4A	1A0050400.00.00



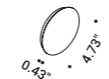
<b>Fixing rough walls kit</b>	Not included
Length 98.42"	1A0370000.00.00



<b>Terminal box</b>	Not included	
Matt White	2 Terminals included	1A3480300.00.00
Matt Black	2 Terminals included	1A3480400.00.00



<b>Power base for plug in kit</b>	Not included
Matt White	1A0030300.00.00
Matt Black	1A0030400.00.00



<b>Power base for Endless</b>	Not included
Matt White	1A0810303.00.00
Matt Black	1A0810403.00.00

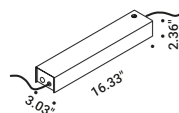


<b>Terminals</b>	Not included
2 Pieces	1A3490000.00.00

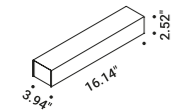
The sizes are expressed in inches.

**Compulsory accessories**

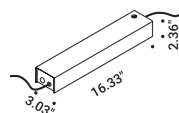
Drivers for ENDLESS ON/OFF system and CASAMBI



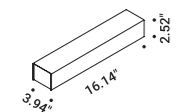
Driver with plug		Not included
Matt White	Input 120V - 60Hz Output 48V - Max 60W - Max 1,25A IP20 - ON/OFF	1A1330303.00.00
Matt Black	Input 120V - 60Hz Output 48V - Max 60W - Max 1,25A IP20 - ON/OFF	1A1330403.00.00



Wall/ceiling/remote driver		Not included
Matt White	Input 120V - 60Hz Output 48V - Max 60W - Max 1,25A IP20 - ON/OFF	1A2450303.00.00
Matt Black	Input 120V - 60Hz Output 48V - Max 60W - Max 1,25A IP20 - ON/OFF	1A2450403.00.00



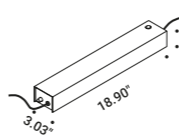
Driver with plug		Not included
Matt White	Input 120V - 60Hz Output 48V - Max 90W - Max 1,87A IP20 - ON/OFF	1A0260303.00.00
Matt Black	Input 120V - 60Hz Output 48V - Max 90W - Max 1,87A IP20 - ON/OFF	1A0260403.00.00



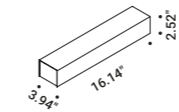
Wall/ceiling/remote driver		Not included
Matt White	Input 120V - 60Hz Output 48V - Max 90W - Max 1,87A IP20 - ON/OFF	1A1020303.00.00
Matt Black	Input 120V - 60Hz Output 48V - Max 90W - Max 1,87A IP20 - ON/OFF	1A1020403.00.00

**Compulsory accessories**

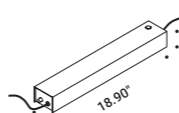
Drivers for ENDLESS dimmable system



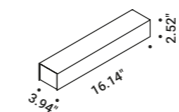
Driver with plug		Not included
Matt White	Input 120V - 60Hz Output 48V - Max 60W - Max 1,25A IP20 - Dimmer on board	1A1340303.00.06
Matt Black	Input 120V - 60Hz Output 48V - Max 60W - Max 1,25A IP20 - Dimmer on board	1A1340403.00.06



Wall/ceiling/remote driver		Not included
Matt White	Input 120V - 60Hz Output 48V - Max 60W - Max 1,25A IP20 - DALI - PUSH - 1-10V	1A4090303.00.07
Matt Black	Input 120V - 60Hz Output 48V - Max 60W - Max 1,25A IP20 - DALI - PUSH - 1-10V	1A4090403.00.07



Driver with plug		Not included
Matt White	Input 120V - 60Hz Output 48V - Max 90W - Max 1,87A IP20 - Dimmer on board	1A1800303.00.06
Matt Black	Input 120V - 60Hz Output 48V - Max 90W - Max 1,87A IP20 - Dimmer on board	1A1800403.00.06



Wall/ceiling driver		Not included
Matt White	Input 120V - 50/60Hz Output 48V - Max 90W - Max 1,87A IP20 - DALI - PUSH - 1-10V	1A1810303.00.07
Matt Black	Input 120V - 50/60Hz Output 48V - Max 90W - Max 1,87A IP20 - DALI - PUSH - 1-10V	1A1810403.00.07

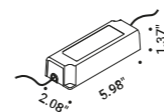


Davide Groppi / 2018

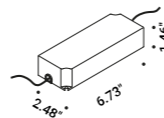
**ENDLESS**

**Compulsory accessories**

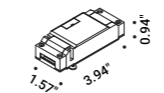
Remote drivers for ENDLESS



<b>Driver</b>			Not included
100-240V	48V/60W/IP67/ON/OFF	1Z1120640	



<b>Driver</b>			Not included
100-240V	48V/90W/IP20/ON/OFF	1Z1120290	

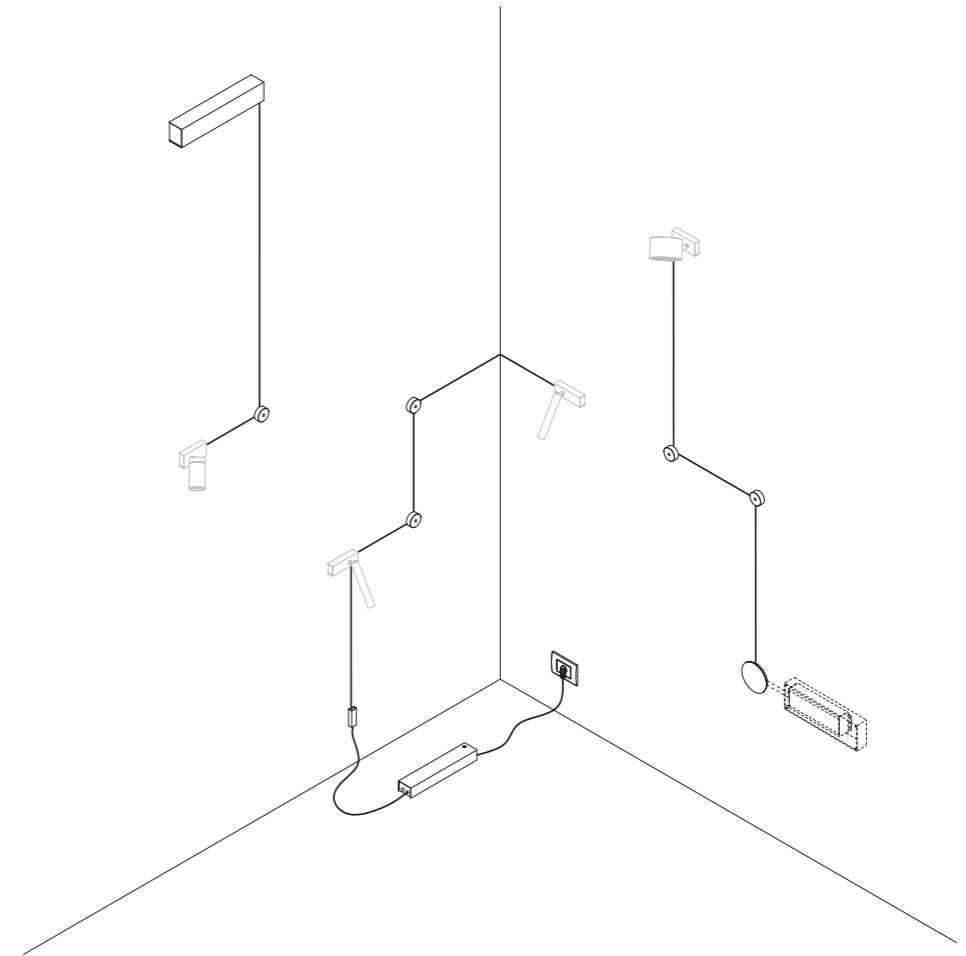


<b>Dimming converter</b>			Not included
Matt Black	DALI - PUSH - 0/1-10V - IP20	1Z2170020	

The sizes are expressed in inches.

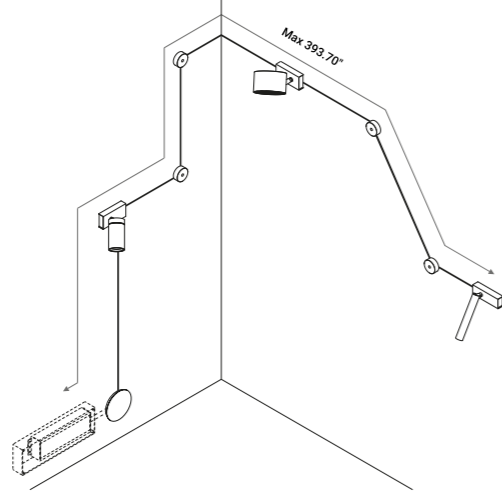
Integrated products with ENDLESS system - Absorption Max 1,875A		Wattage (W)	Ampere (A)
<b>Power Kit:</b>			
1A133XX03.00.00	Driver with plug - 48V - ON/OFF	Max 60	Max 1,25
1A245XX03.00.00	Wall/ceiling/remote driver - 48V - ON/OFF	Max 60	Max 1,25
1A026XX03.00.00	Driver with plug - 48V - ON/OFF	Max 90	Max 1,87
1A102XX03.00.00	Wall/ceiling/remote driver - 48V - ON/OFF	Max 90	Max 1,87
1A134XX03.00.06	Driver with plug - 48V - Dimmer on board	Max 60	Max 1,25
1A409XX03.00.07	Wall/ceiling/remote driver - 48V - DALI - PUSH - 1-10V	Max 60	Max 1,25
1A180XX03.00.06	Driver with plug - 48V - Dimmer on board	Max 90	Max 1,87
1A181XX03.00.07	Wall/ceiling driver - 48V - DALI - PUSH - 1-10V	Max 90	Max 1,87
1Z1120640	Remote driver - 48V - ON/OFF	Max 60	Max 1,25
1Z1120290	Remote driver - 48V - ON/OFF	Max 90	Max 1,87
<b>Elements:</b>			
1A2980303.27.40	CATHODE ENDLESS - Matt White - 2700K	6,3	0,16
1A2980303.30.40	CATHODE ENDLESS - Matt White - 3000K	6,3	0,16
1A2980803.27.40	CATHODE ENDLESS - Brushed Brass - 2700K	6,3	0,16
1A2980803.30.40	CATHODE ENDLESS - Brushed Brass - 3000K	6,3	0,16
1A2982803.27.40	CATHODE ENDLESS - Polished Black Chrome - 2700K	6,3	0,16
1A2982803.30.40	CATHODE ENDLESS - Polished Black Chrome - 3000K	6,3	0,16
1A2340303.27.40	DOT P ENDLESS - Matt White - 2700K	13	0,34
1A2340303.30.40	DOT P ENDLESS - Matt White - 3000K	13	0,34
1A2340403.27.40	DOT P ENDLESS - Matt Black - 2700K	13	0,34
1A2340403.30.40	DOT P ENDLESS - Matt Black - 3000K	13	0,34
1A2344903.27.40	DOT P ENDLESS - Matt Black/Polished Gold - 2700K	13	0,34
1A2344903.30.40	DOT P ENDLESS - Matt Black/Polished Gold - 3000K	13	0,34
1A2340303.27.41	DOT P ENDLESS CASAMBI - Matt White - 2700K	15,5	0,40
1A2340303.30.41	DOT P ENDLESS CASAMBI - Matt White - 3000K	15,5	0,40
1A2340403.27.41	DOT P ENDLESS CASAMBI - Matt Black - 2700K	15,5	0,40
1A2340403.30.41	DOT P ENDLESS CASAMBI - Matt Black - 3000K	15,5	0,40
1A2344903.27.41	DOT P ENDLESS CASAMBI - Matt Black/Polished Gold - 2700K	15,5	0,40
1A2344903.30.41	DOT P ENDLESS CASAMBI - Matt Black/Polished Gold - 3000K	15,5	0,40
1A2280303.27.40	MIRA ENDLESS - Matt White - 2700K	6	0,16
1A2280303.30.40	MIRA ENDLESS - Matt White - 3000K	6	0,16
1A2280403.27.40	MIRA ENDLESS - Matt Black - 2700K	6	0,16
1A2280403.30.40	MIRA ENDLESS - Matt Black - 3000K	6	0,16
1A2284903.27.40	MIRA ENDLESS - Matt Black/Polished Gold - 2700K	6	0,16
1A2284903.30.40	MIRA ENDLESS - Matt Black/Polished Gold - 3000K	6	0,16
1A2280303.27.41	MIRA ENDLESS CASAMBI - Matt White - 2700K	7	0,18
1A2280303.30.41	MIRA ENDLESS CASAMBI - Matt White - 3000K	7	0,18
1A2280403.27.41	MIRA ENDLESS CASAMBI - Matt Black - 2700K	7	0,18
1A2280403.30.41	MIRA ENDLESS CASAMBI - Matt Black - 3000K	7	0,18
1A2284903.27.41	MIRA ENDLESS CASAMBI - Matt Black/Polished Gold - 2700K	7	0,18
1A2284903.30.41	MIRA ENDLESS CASAMBI - Matt Black/Polished Gold - 3000K	7	0,18

Integrated products with ENDLESS system - Absorption Max 1,875A		Wattage (W)	Ampere (A)
<b>Elements:</b>			
1A2960303.27.40	MISS ENDLESS - Matt White - 2700K	6,3	0,16
1A2960303.30.40	MISS ENDLESS - Matt White - 3000K	6,3	0,16
1A2960403.27.40	MISS ENDLESS - Matt Black - 2700K	6,3	0,16
1A2960403.30.40	MISS ENDLESS - Matt Black - 3000K	6,3	0,16
1A2960803.27.40	MISS ENDLESS - Brushed Brass - 2700K	6,3	0,16
1A2960803.30.40	MISS ENDLESS - Brushed Brass - 3000K	6,3	0,16
1A2962603.27.40	MISS ENDLESS - Total Black - 2700K	6,3	0,16
1A2962603.30.40	MISS ENDLESS - Total Black - 3000K	6,3	0,16
1A2962803.27.40	MISS ENDLESS - Polished Black Chrome - 2700K	6,3	0,16
1A2962803.30.40	MISS ENDLESS - Polished Black Chrome - 3000K	6,3	0,16
1A5500403.27.20	REFLEX - Matt Black - 2700K	40	1,04
1A5500403.30.20	REFLEX - Matt Black - 3000K	40	1,04
1A1080303.00.40	SPOT ENDLESS - Matt White	Max 13	Max 0,34
1A1080403.00.40	SPOT ENDLESS - Matt Black	Max 13	Max 0,34
1A1084903.00.40	SPOT ENDLESS - Matt Black/Polished Gold	Max 13	Max 0,34
1A1080303.00.41	SPOT ENDLESS CASAMBI - Matt White	Max 15,5	Max 0,40
1A1080403.00.41	SPOT ENDLESS CASAMBI - Matt Black	Max 15,5	Max 0,40
1A1084903.00.41	SPOT ENDLESS CASAMBI - Matt Black/Polished Gold	Max 15,5	Max 0,40

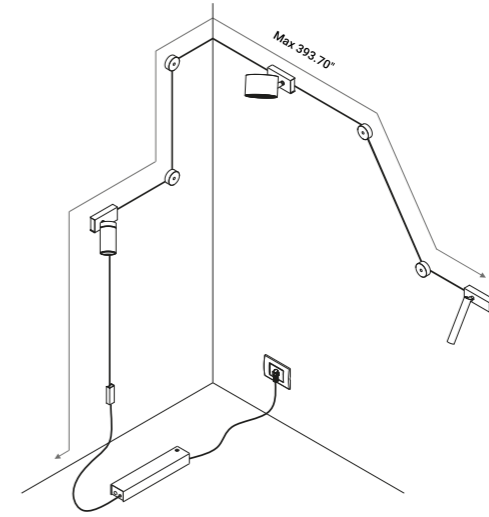


Examples of installation with the three different power supply modes

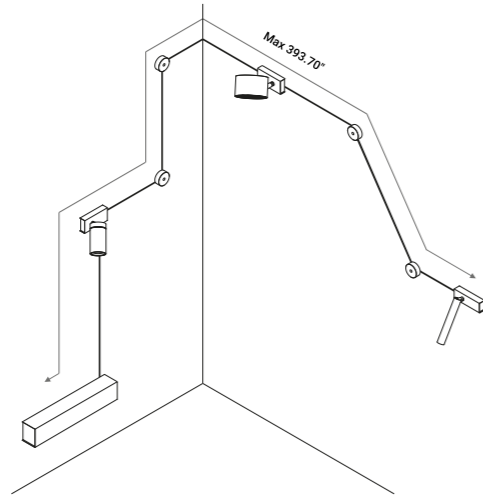




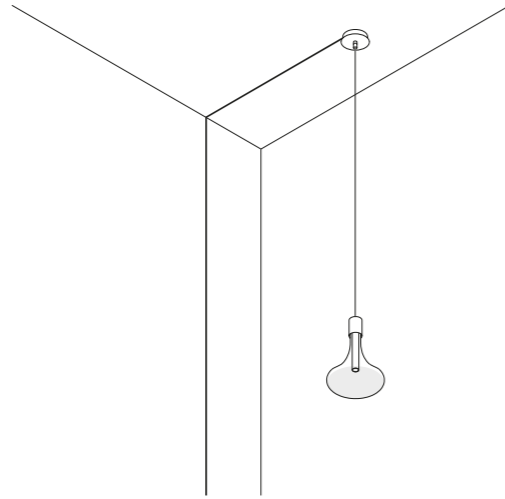
Example of combined installation between various devices with remote driver



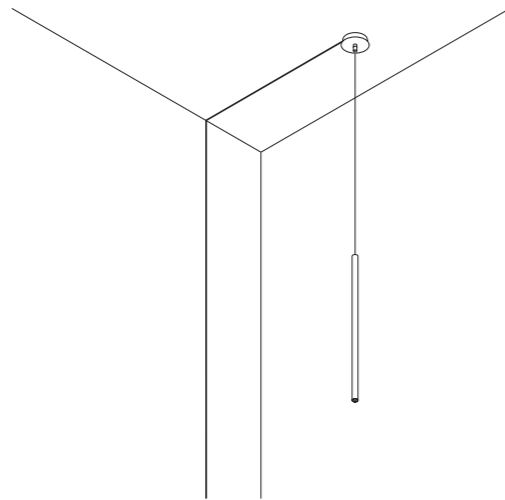
Example of combined installation between various devices with driver with plug



Example of combined installation between various devices with wall/ceiling driver

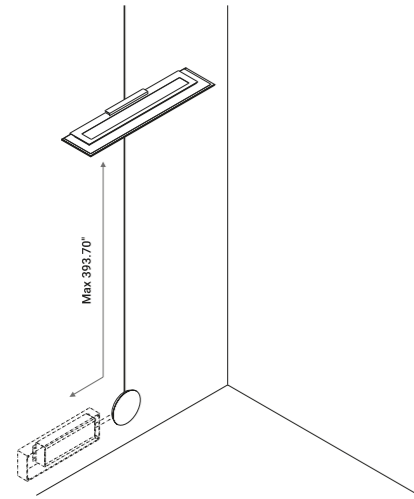


CATHODE: example of installation

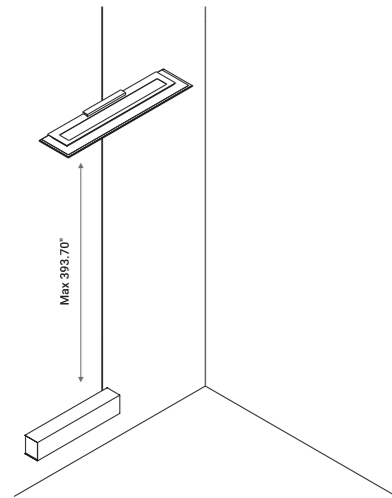


MISS: example of installation

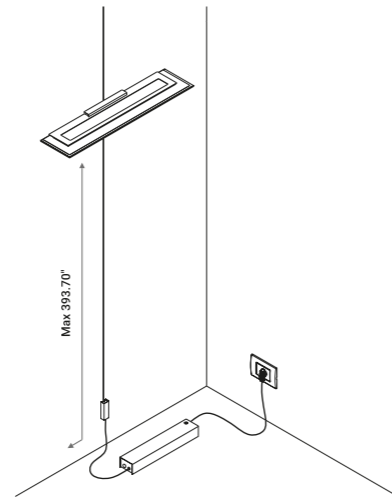




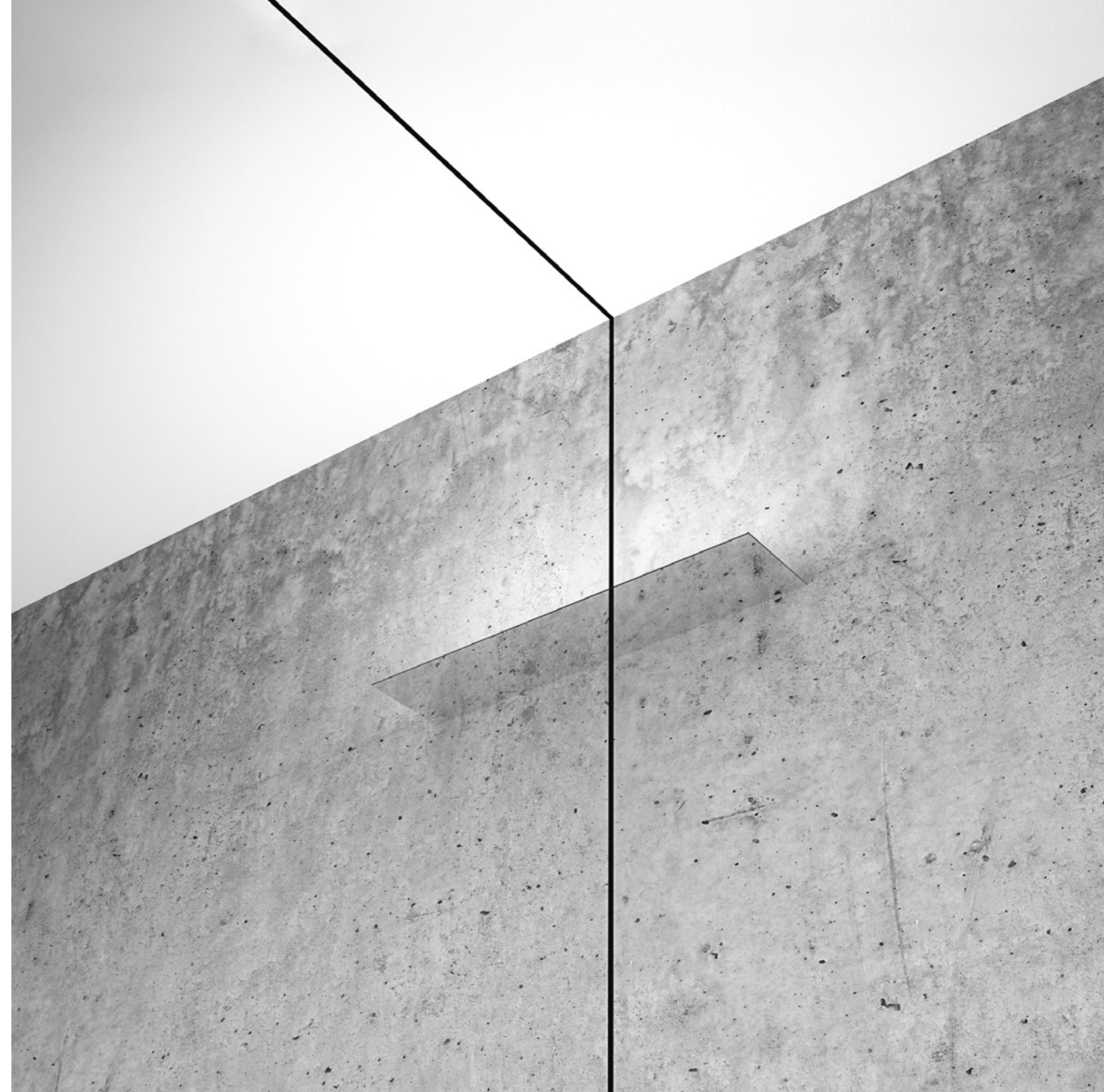
REFLEX: example of installation with remote driver

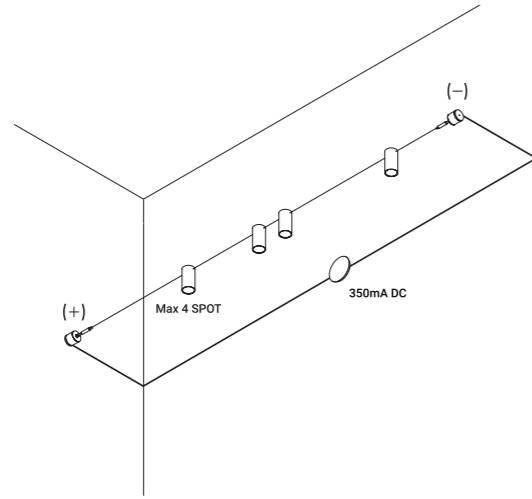


REFLEX: example of installation with wall/ceiling driver

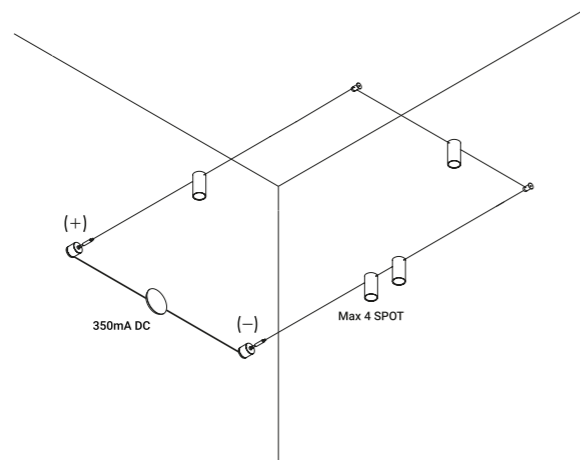


REFLEX: example of installation with driver with plug

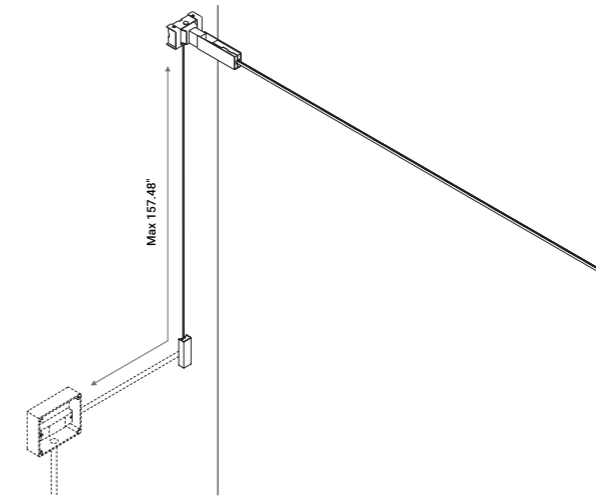




OHM: example of installation



OHM: example of installation



UTOPIA: example of installation