

SOTTILE

Daide Groppi / 2023

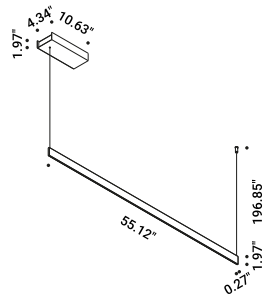
A blade of light just 7 millimetres thick,
the expression of that purest and most essential part of our thought.
The surprise of an extremely thin, yet at the same time very bright, lamp.
Luminaire designed also to be powered by ENDLESS conductive tape.



Suspension / Direct / Indoor

Material Metal
Finish **.29** Brushed Bronze **.36** Brushed Black

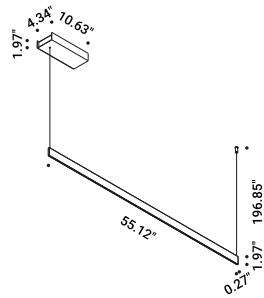
Note Suspension luminaire. Matt white rose. AISI 304 stainless steel suspension cable. Black cable. Luminaire designed to be powered by our ENDLESS conductive tape and dedicated voltage/current (Max 48V DC - Max 150W - Max 4A). SOTTILE 1 DE and SOTTILE 2 DE: mono on/off and dual emission version. SOTTILE 2 and SOTTILE 2 DE: version with power cable only and without rose.



SOTTILE 1

Ceiling driver version
 21W
 120V - 60Hz
 2700K - 1692lm / 3000K - 1855lm
 CRI >90
 Driver integrated
 DALI - PUSH - 1-10V

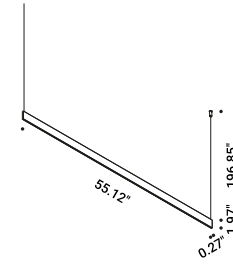
Brushed Bronze - 2700K - DALI - PUSH - 1-10V	1A4232903.27.07
Brushed Bronze - 3000K - DALI - PUSH - 1-10V	1A4232903.30.07
Brushed Black - 2700K - DALI - PUSH - 1-10V	1A4233603.27.07
Brushed Black - 3000K - DALI - PUSH - 1-10V	1A4233603.30.07



SOTTILE 1 DE

Ceiling driver version - Dual emission
 41W
 120V - 60Hz
 2700K - Up 1692lm - Down 1692lm /
 3000K - Up 1855lm - Down 1855lm
 CRI >90 / 90
 Driver integrated
 DALI - PUSH - 1-10V

Brushed Bronze - 2700K - DALI - PUSH - 1-10V	1A4642903.27.07
Brushed Bronze - 3000K - DALI - PUSH - 1-10V	1A4642903.30.07
Brushed Black - 2700K - DALI - PUSH - 1-10V	1A4643603.27.07
Brushed Black - 3000K - DALI - PUSH - 1-10V	1A4643603.30.07

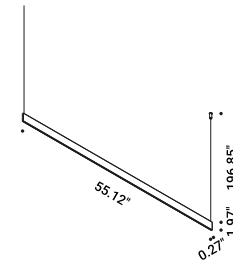


SOTTILE 2

Remote driver version
 19W
 24V DC
 2700K - 1692lm / 3000K - 1855lm
 CRI >90
 Driver not included



Brushed Bronze - 2700K	1A4232903.27.20
Brushed Bronze - 3000K	1A4232903.30.20
Brushed Black - 2700K	1A4233603.27.20
Brushed Black - 3000K	1A4233603.30.20



SOTTILE 2 DE

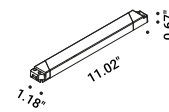
Remote driver version - Dual emission
 2x19W
 24V DC
 2700K - Up 1692lm - Down 1692lm /
 3000K - Up 1855lm - Down 1855lm
 CRI >90 / 90
 Driver not included



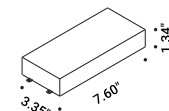
Brushed Bronze - 2700K	1A4642903.27.20
Brushed Bronze - 3000K	1A4642903.30.20
Brushed Black - 2700K	1A4643603.27.20
Brushed Black - 3000K	1A4643603.30.20

Compulsory accessories

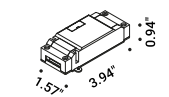
Drivers



Driver				Not included
100-240V	24V/50W/IP20/ON/OFF	SOTTILE 2 / SOTTILE 2 DE	1Z1120490	



Driver				Not included
120-277V	24V/60W/IP20/TRIAC - 1-10V	SOTTILE 2 / SOTTILE 2 DE	1Z2020040	



Controller				Not included
Matt Black	DALI - PUSH - 0/1-10V - IP20	SOTTILE 2 / SOTTILE 2 DE	1Z2170020	

Optional accessories

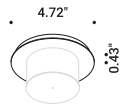
Suspension kits



Recessed suspension kit for 0.49" plasterboard			Not included
Matt White	For suspension cables - 1 Piece Plasterboard cut-out Ø 1.73" Minimum space for mounting 2.76"	1X0000300.01.00	
Matt Black	For suspension cables - 1 Piece Plasterboard cut-out Ø 1.73" Minimum space for mounting 2.76"	1X0000400.01.00	
Matt White	For electrical cables - 1 Piece Plasterboard cut-out Ø 1.73" Minimum space for mounting 2.76"	SOTTILE 2 / SOTTILE 2 DE	1X0000300.04.00
Matt Black	For electrical cables - 1 Piece Plasterboard cut-out Ø 1.73" Minimum space for mounting 2.76"	SOTTILE 2 / SOTTILE 2 DE	1X0000400.04.00



Ceiling suspension kit			Not included
Matt White	For suspension cables - 1 Piece	1X0010300.01.00	
Matt Black	For suspension cables - 1 Piece	1X0010400.01.00	
Matt White	For electrical cables - 1 Piece	SOTTILE 2 / SOTTILE 2 DE	1X0010300.04.00
Matt Black	For electrical cables - 1 Piece	SOTTILE 2 / SOTTILE 2 DE	1X0010400.04.00

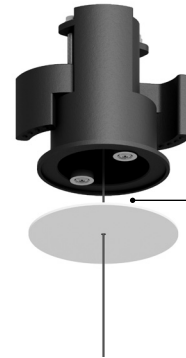
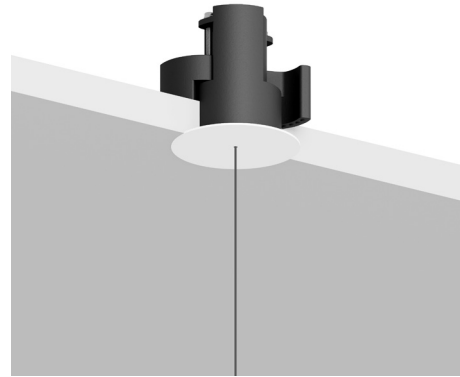


Wall adapter plate			Not included
Matt White	For mounting on brick masonry walls	1X0050300.01.00	



SUSPENSION KITS

Recessed suspension kit



Suspension kit for 0.49" plasterboard
Plasterboard cut-out Ø 1.73"
Minimum space for mounting 2.76"

Magnetic fixing

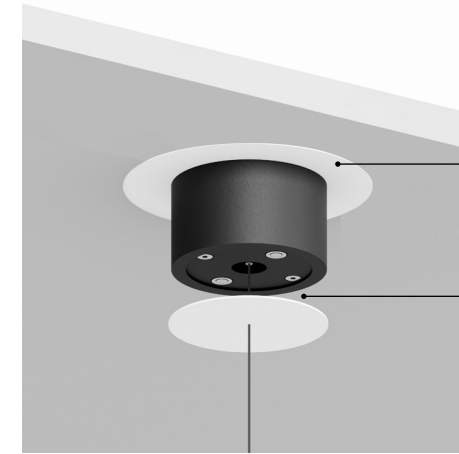
Version	Use	Product reference	Finish	Code
Recessed suspension kit.01	For suspension cables	REFLEX S 1 REFLEX S 2 SHANGHAI 1 SHANGHAI 2 SOTTILE 1 SOTTILE 1 DE SOTTILE 2 SOTTILE 2 DE	Matt White	1X0000300.01.00
			Matt Black	1X0000400.01.00
Recessed suspension kit.02	For electrical cables	MAGIA	Matt White	1X0000300.02.00
			Matt Black	1X0000400.02.00
Recessed suspension kit.03	For suspension cables	MASAI 1 MASAI 2	Matt White	1X0000300.03.00
			Matt Black	1X0000400.03.00
Recessed suspension kit.04	For electrical cables	ASINTOTO REFLEX S 2 SHANGHAI 2 SOTTILE 2 SOTTILE 2 DE	Matt White	1X0000300.04.00
			Matt Black	1X0000400.04.00
Recessed suspension kit.05	For electrical cables	LOUIS XIV 2 SOTTOSOPRA 2	Matt White	1X0000300.05.00
			Matt Black	1X0000400.05.00



2.44"

SUSPENSION KITS

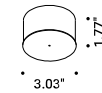
Ceiling suspension kit



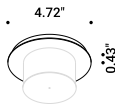
Back plate

Magnetic fixing

Version	Use	Product reference	Finish	Code
Ceiling suspension kit.01	For suspension cables	REFLEX S 1 REFLEX S 2 SHANGHAI 1 SHANGHAI 2 SOTTILE 1 SOTTILE 1 DE SOTTILE 2 SOTTILE 2 DE	Matt White	1X0010300.01.00
			Matt Black	1X0010400.01.00
Ceiling suspension kit.02	For electrical cables	MAGIA	Matt White	1X0010300.02.00
			Matt Black	1X0010400.02.00
Ceiling suspension kit.03	For suspension cables	MASAI 1 MASAI 2	Matt White	1X0010300.03.00
			Matt Black	1X0010400.03.00
Ceiling suspension kit.04	For electrical cables	ASINTOTO REFLEX S 2 SHANGHAI 2 SOTTILE 2 SOTTILE 2 DE	Matt White	1X0010300.04.00
			Matt Black	1X0010400.04.00
Back plate			Matt White	1X0050300.01.00



3.03"



4.72"

0.43"