

**LED IS MORE**

Daide Groppi / 2011

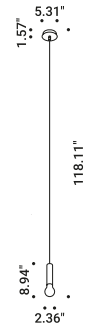


A tribute to Mies van der Rohe and his Less is More.  
The project represents a light icon in a LED key,  
with a peculiar attention to energy savings and the quality of light.

Suspension / Diffuse / Indoor

**Material** Metal - Methacrylate  
**Finish** .03 Matt White

**Note** Suspension luminaire. Sanded methacrylate diffuser. Matt white rose. White cable. Single rose for more than one lamp on request. LED IS MORE 2: version with power cable only and without rose.

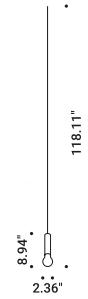


**LED IS MORE 1**

Ceiling driver version  
 5,6W  
 120V - 60Hz  
 3000K - 354lm  
 CRI >90  
 Driver integrated  
 ON/OFF

Matt White - 3000K - ON/OFF

|1A2790303.30.00 |



**LED IS MORE 2**

Remote driver version  
 4W  
 Max 350mA DC  
 3000K - 354lm  
 CRI >90  
 Driver not included

Matt White - 3000K

|1A2790303.30.20 |

**Compulsory accessories**

**Suspension kits**



**Recessed suspension kit for 0.49" plasterboard** Not included

Matt White	For electrical cables - 1 Piece Plasterboard cut-out Ø 1.73" Minimum space for mounting 2.76"	LED IS MORE 2	1X0000300.07.00
Matt Black	For electrical cables - 1 Piece Plasterboard cut-out Ø 1.73" Minimum space for mounting 2.76"	LED IS MORE 2	1X0000400.07.00



**Ceiling suspension kit** Not included

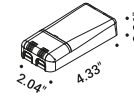
Matt White	For electrical cables - 1 Piece	LED IS MORE 2	1X0010300.06.00
Matt Black	For electrical cables - 1 Piece	LED IS MORE 2	1X0010400.06.00



**Wall adapter plate** Not included

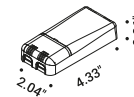
Matt White		LED IS MORE 2	1X0050300.01.00
------------	--	---------------	-----------------

**Drivers**



**Driver** Not included

220-240V(100-127V)	350mA/17W(15W)/IP20/DALI	LED IS MORE 2	1Z0241180.350
--------------------	--------------------------	---------------	---------------

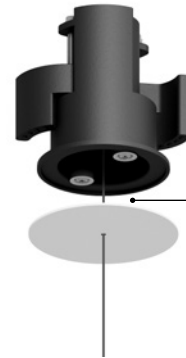
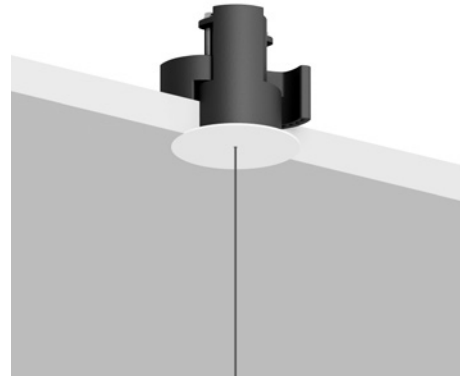


**Driver** Not included

220-240V(100-127V)	350mA/18W(15W)/IP20/PUSH - 1-10V	LED IS MORE 2	1Z0240870.350
--------------------	----------------------------------	---------------	---------------

# SUSPENSION KITS

## Recessed suspension kit



Suspension kit for 0.49" plasterboard  
Plasterboard cut-out Ø 1.73"  
Minimum space for mounting 2.76"

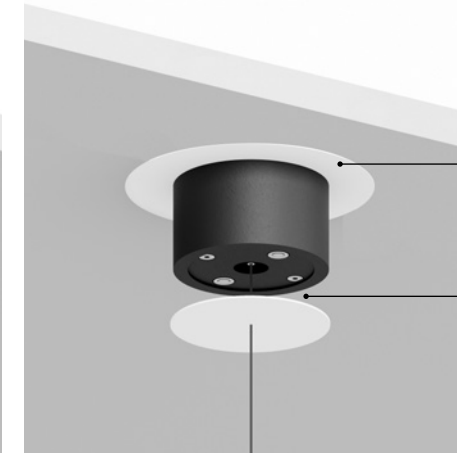
Magnetic fixing



Version	Use	Product reference	Finish	Code
Recessed suspension kit 01	For suspension cables	SHANGHAI 1	Matt White	1X0000300.01.00
		SHANGHAI 2 SOTTILE 1 SOTTILE 1 DE SOTTILE 2 SOTTILE 2 DE	Matt Black	1X0000400.01.00
Recessed suspension kit 02	For electrical cables	MAGIA	Matt White	1X0000300.02.00
			Matt Black	1X0000400.02.00
Recessed suspension kit 03	For suspension cables	MASAI 1	Matt White	1X0000300.03.00
		MASAI 2 REFLEX S 1 REFLEX S 2	Matt Black	1X0000400.03.00
Recessed suspension kit 04	For electrical cables	ASINTOTO REFLEX S 2	Matt White	1X0000300.04.00
		SHANGHAI 2 SOTTILE 2 SOTTILE 2 DE	Matt Black	1X0000400.04.00
Recessed suspension kit 05	For electrical cables	LOUIS XIV 2	Matt White	1X0000300.05.00
		SOTTOSOPRA 2	Matt Black	1X0000400.05.00
Recessed suspension kit 07	For electrical cables	CATHODE 2	Matt White	1X0000300.07.00
		LED IS MORE 2 MISS 2	Matt Black	1X0000400.07.00

# SUSPENSION KITS

## Ceiling suspension kit



Back plate  
Optional for suspension cables only

Magnetic fixing



Version	Use	Product reference	Finish	Code
Ceiling suspension kit 01	For suspension cables	SHANGHAI 1	Matt White	1X0010300.01.00
		SHANGHAI 2 SOTTILE 1 SOTTILE 1 DE SOTTILE 2 SOTTILE 2 DE	Matt Black	1X0010400.01.00
Ceiling suspension kit 02	For electrical cables	MAGIA	Matt White	1X0010300.02.00
			Matt Black	1X0010400.02.00
Ceiling suspension kit 03	For suspension cables	MASAI 1	Matt White	1X0010300.03.00
		MASAI 2 REFLEX S 1 REFLEX S 2	Matt Black	1X0010400.03.00
Ceiling suspension kit 04	For electrical cables	ASINTOTO REFLEX S 2	Matt White	1X0010300.04.00
		SHANGHAI 2 SOTTILE 2 SOTTILE 2 DE	Matt Black	1X0010400.04.00
Ceiling suspension kit 06	For electrical cables	CATHODE 2	Matt White	1X0010300.06.00
		LED IS MORE 2 MISS 2	Matt Black	1X0010400.06.00
Back plate	Optional for suspension cables only		Matt White	1X0050300.01.00

