



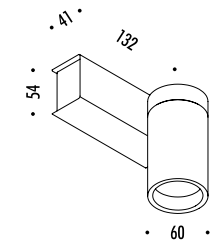
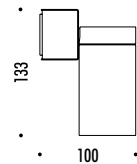
The sizes are expressed in millimeters.

DESIGN OMAR CARRAGLIA - DAVIDE GROPPI - 2015
WALL LAMP - METAL



DOT P 51

IP20



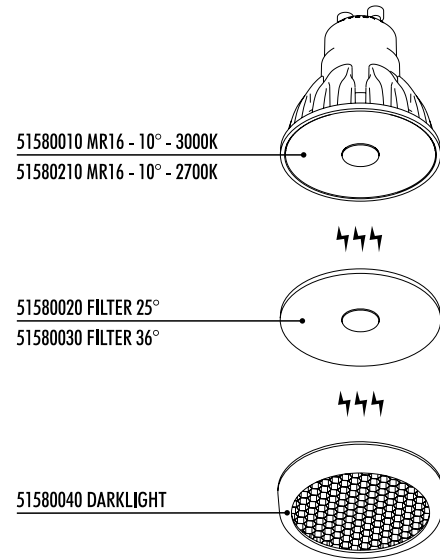
| | | |
|-----------------|---------------------|--|
| 1A2490308.00.00 | MATT WHITE - ON/OFF | 220 V - 50 Hz - MAX 10 W LED - GU10 ADJUSTABLE BULB NOT INCLUDED OPTIONAL BULB ACCESSORIES NOT INCLUDED |
| 1A2490408.00.00 | MATT BLACK - ON/OFF | |
| | | |

ACCESSORIES

| | | |
|----------|------------------------------|--|
| 50330500 | LED BULBS - 3000K | 220-240 V - 5,5 W - GU10 - 25° - 375 lm - CRI 97 |
| 51580210 | SORAA LED BULBS MR16 - 2700K | 230 V - 7,5 W - GU10 - 10° - 390 lm - CRI 95 - IGBT DIMMABLE |
| 51580010 | SORAA LED BULBS MR16 - 3000K | 230 V - 7,5 W - GU10 - 10° - 410 lm - CRI 95 - IGBT DIMMABLE |

OPTIONAL ACCESSORIES

| | | |
|----------|---------------------|--|
| 51580020 | FILTER - MR16 - 25° | "POINT SOURCE OPTICS" ACCESSORIES FOR UNIFORM AND HIGH INTENSITY BEAMS |
| 51580030 | FILTER - MR16 - 36° | |
| 51580040 | DARKLIGHT - MR16 | |



| CODE | SOCKET | TENSION | WATTAGE | BEAM ANGLE (°) | TEMPERATURE (K) | SOURCE LUMENS | BULB EFFICIENCY | CRI (Ra) | DIMMABLE | PRODUCT REFERENCE |
|------|--------|---------|---------|----------------|-----------------|---------------|-----------------|----------|----------|-------------------|
|------|--------|---------|---------|----------------|-----------------|---------------|-----------------|----------|----------|-------------------|

LED BULBS

| | | | | | | | | | | | |
|--|----------|------|-----------|--------|------|-------|---------|---|-----|---|--|
| | 50330500 | GU10 | 220-240 V | 5,5 W | 25° | 3000K | 375 lm | G | 97 | X | DOT P 51 DOT SISTEMA 51 MOON 60 DE |
| | 50330790 | E27 | 220-240 V | 11,2 W | 360° | 2700K | 1521 lm | D | 90 | X | MOON 60 MOON 60 DE MOON 80 MOON 200 MOON T |
| | 50041470 | E27 | 220-240 V | 21 W | 200° | 2700K | 2452 lm | E | >80 | X | MOON 120 |
| | 50330730 | E27 | 220-240 V | 9,5 W | 25° | 3000K | 760 lm | F | 80 | X | NEURO |

SORAA LED BULBS MR16 - IGBT DIMMABLE

| | | | | | | | | | | | |
|--|----------|------|-------|-------|-----|-------|--------|---|----|---|----------------------------|
| | 51580210 | GU10 | 230 V | 7,5 W | 10° | 2700K | 390 lm | G | 95 | X | DOT P 51 DOT SISTEMA 51 |
| | 51580010 | GU10 | 230 V | 7,5 W | 10° | 3000K | 410 lm | G | 95 | X | |

"POINT SOURCE OPTICS" ACCESSORIES FOR UNIFORM AND HIGH INTENSITY BEAMS

| | | | |
|----------|------------------|-----|----------------------------|
| 51580020 | FILTER - MR16 | 25° | DOT P 51 DOT SISTEMA 51 |
| 51580030 | FILTER - MR16 | 36° | |
| 51580040 | DARKLIGHT - MR16 | - | |